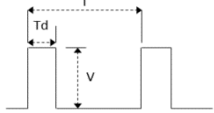
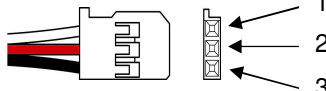
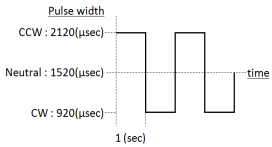


**AD20-06H-B01 Technical Specification**

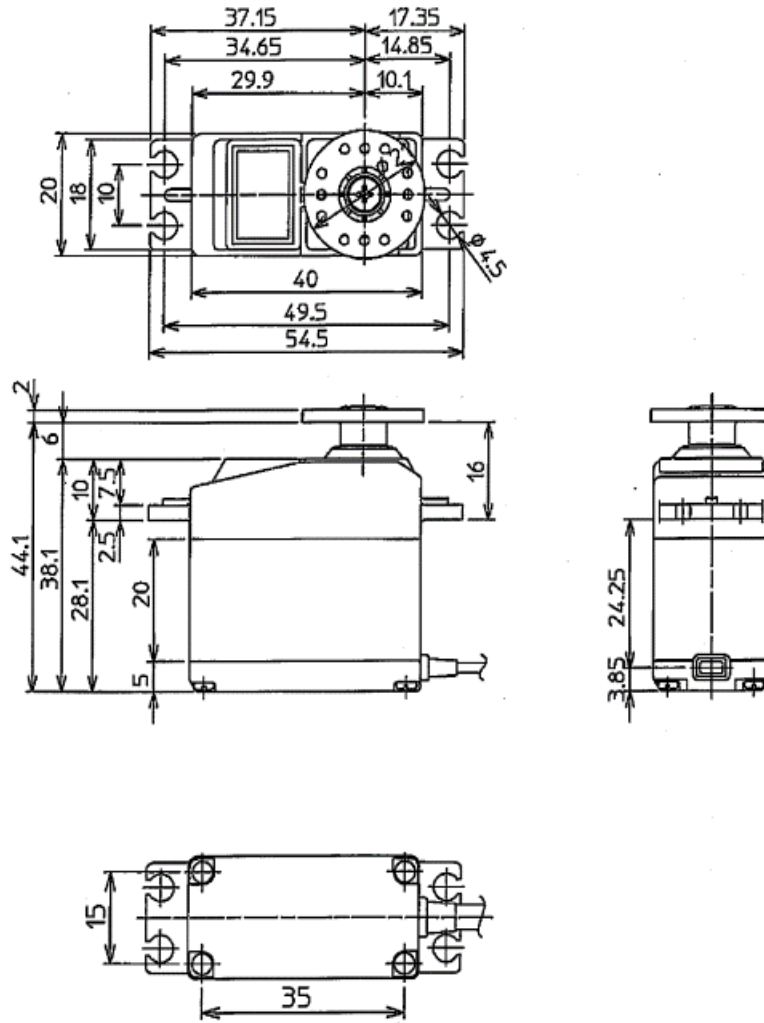
Item		Specification				Remark	
1	Communication Interface	PWM				Signal Voltage:V	HIGH : min. 2.0V max. Vcc
						Frame Rate:T	3.0~30ms (Default 14.25ms)
						Left/Center/Right:Td	2120/1520/920 μs (Resolution recommends less than 1 μs.)
							
		S.BUS / S.BUS2				Futaba Serial Protocol (Please ask us for more information.)	
2	Rated Voltage	DC 6.0~DC 7.4V				-	
3	Operating Voltage	DC 4.8~DC 8.4V				-	
4	Standby Current	≤ 20mA				at 6.0~7.4V	
5	Starting Current*	≤ 2.4				A	at 7.4V , No-Load
6	Consumption Current*	LL	Me	UL	unit	LL : Low Limit Me : Medium Value UL : Upper Limit	
		115	160	280	mA	at 6.6V , No-Load	
		125	170	290	mA	at 7.4V , No-Load	
7	Max. Torque*	LL	Me	UL	unit	at 6.6V	
		4.3	7.1	9.9	kgf-cm		
		0.4	0.7	1.0	N-m		
		59.7	98.6	137.5	ozf-in	at 7.4V	
		4.8	7.9	11.0	kgf-cm		
		0.5	0.8	1.1	N-m		
66.7	109.7	152.8	ozf-in	at 6.6V			
1.4			kgf-cm				
0.14			N-m				
19.7			ozf-in	20% of Max. Torque			
9	No Load Speed*	LL	Me	UL	unit	at 6.6V	
		0.17	0.14	0.11	s/60°		
		352.9	428.6	545.5	%s		
		58.8	71.4	90.9	rpm	at 7.4V	
		0.16	0.13	0.10	s/60°		
		375.0	461.5	600.0	%s		
62.5	76.9	100.0	rpm				
10	Default Travel Angle	CW 60° (920us) CCW 60° (2120us)				-	
11	Max Travel Angle	CW 90° (920us) CCW 90° (2120us)				Programing tool (CIU-2 or CIU-3,S-Link) required.	
12	BackLash*	≤ 0.7°				-	
13	Operating Temperature Range	-10~+45°C (14~113°F)				-	
14	Storage Temperature Range	-20~+60°C (-4~140°F)				-	
15	Outer Dimension	40.0 x 20.0 x 38.1mm (1.57 x 0.78 x 1.50 in)				-	
16	Weight	39g (1.38oz)				-	
17	Case Material	Upper,Middle,Bottom : Resin				-	
18	Gear Set Material	1st,2nd,3rd,4th(Final) : Resin				-	
19	Cable	Non-Shielded Cable				Cable Length : 11.81 inch (300mm)	
20	Connector	Manufacture	J.A.M. Co., Ltd.				
		Type	FC25-03HG**				
		Mating	FC25-03M** etc.				
		Pin Assignment	1	White	PWM/S.BUS		
		2	Red	Vcc			
		3	Black	GND			
21	International Protection Code	IP40 equivalent				-	
22	MTTF	300h (at 6.6V)				<b>Test Condition</b> • Load : 20% of Max. Torque • Operating Condition : 0.5Hz sweep (±60°) • Input Pulse : PWM	
							
23	Vibration Resistance *	Operating time > 100h (at 6.6V)				<b>Test Condition</b> Frequency range 80 to 400Hz Sweep Rate 1.2 min / single-sweep Acceleration 30G (294m/s <sup>2</sup> ) Vibration axis X , Y , Z	

\* At 23±5°C (Initial Performance Data)

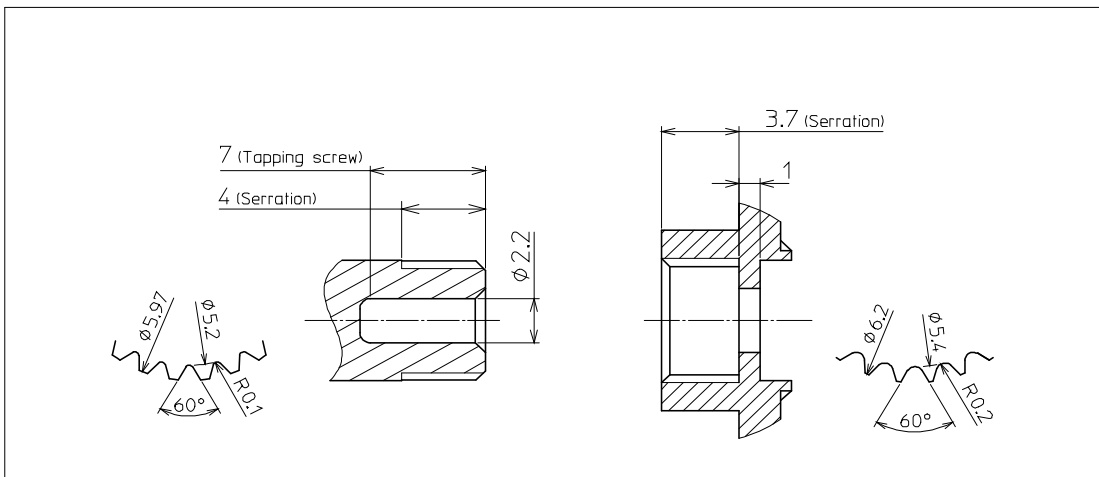
\*\* Custom connector. If necessary, Please use the extension cord sold from Futaba.

**All Specifications are subject to change without prior notice.**

**Outer Dimension**



**Servo Serration**



**Serration Size**

Standard Diameter :  $\phi 6$   
 Angle :  $60^\circ$   
 Tooth : 25

Unit(mm)