

BLA13-06H-A01 Technical Specification

Item		Specification				Remark	
1	Communication Interface	PWM				Signal Voltage:V	HIGH : min. 2.0V max. Vcc LOW : min. 0.0V max. 0.45V
						Frame Rate:T	3.0~30ms (Default 14.25ms)
						CW/Center/CCW:Td	920/1520/2120µs (Resolution recommends less than 1µs.)
		S.BUS				Futaba Serial Protocol (Please ask us for more information.)	
2	Rated Voltage	DC 6.0~DC 7.4V				-	
3	Operating Voltage	DC 4.0~DC 8.4V				-	
4	Standby Current	≤ 45mA				at 6.0~7.4V	
5	Starting Current*	1.5A				at 7.4V	
6	Consumption Current*	LL	Me	UL	unit	at 7.4V , No-Load	
		80	160	240	mA	LL : Low Limit Me : Medium Value UL : Upper Limit	
7	Max. Torque*	LL	Me	UL	unit	at 7.4V	
		5.8	8.3	10.8	kgf-cm		
		0.6	0.8	1.1	N-m		
		80.5	115.3	150.0	ozf-in		
8	Rated Torque*	1.7				kgf-cm	at 7.4V
		0.16				N-m	20% of Max. Torque
		23.1				ozf-in	
9	No Load Speed*	LL	Me	UL	unit	at 7.4V	
		0.10	0.13	0.16	s/60°		
		375.0	461.5	600.0	°/s		
		62.5	76.9	100.0	rpm		
10	Default Travel Angle	CW 60° (920us) CCW 60° (2120us)				-	
11	Max Travel Angle	CW 90° (920us) CCW 90° (2120us)				Programing tool (CIU-2 or CIU-3,S-Link) required.	
12	BackLash*	≤ 0.5°				-	
13	Operating Temperature Range	-30~+70°C (-22~158°F)				-	
14	Storage Temperature Range	-40~+80°C (-40~176°F)				-	
15	Outer Dimension	28.6 x 13.0 x 32.6mm (1.13 x 0.51 x 1.28 inch)				-	
16	Weight	35g (1.23oz)				with Horn and set screw	
17	Case Material	Upper : AL / Middle : AL / Bottom : AL				-	
18	Gear Set Material	1st,2nd,3rd,4th(Final) : Metal				-	
19	Cable	Non-Shielded Cable				Cable Length : 150mm (5.90 inch)	
20	Connector	Manufacture	J.A.M. Co., Ltd.				
		Type	FC25-03HG**				
		Mating	FC25-03M** etc.				
		Pin Assignment	1	White	PW/M/S.BUS		
2	Red		Vcc				
3	Black		GND				
21	MTTF	> 500h (Load : 0.67kgf·cm)				Test Condition • Test Voltage : 7.4V • Operating Condition : 0.5Hz sweep (±60°) • Input Pluse : PWM • Calculated by Weibull analysis 	
22	Vibration Resistance *	Operating time ≥ 500h (at 7.4V)				Test Condition Frequency range: 10 to 500Hz Sweep Rate: 1 oct /min Acceleration: 10G (98m/s ²) Vibration axis: X, Y, Z	
		Operating time ≥ 300h (at 7.4V)				Frequency range: 80 to 400Hz Sweep Rate: 1.2 min / single-sweep Acceleration: 30G (294m/s ²) Vibration axis: X, Y, Z	

* At 23±5°C (Initial Performance Data)

** Custom connector. If necessary, Please use the extension cord sold from Futaba.

All Specifications are subject to change without prior notice.

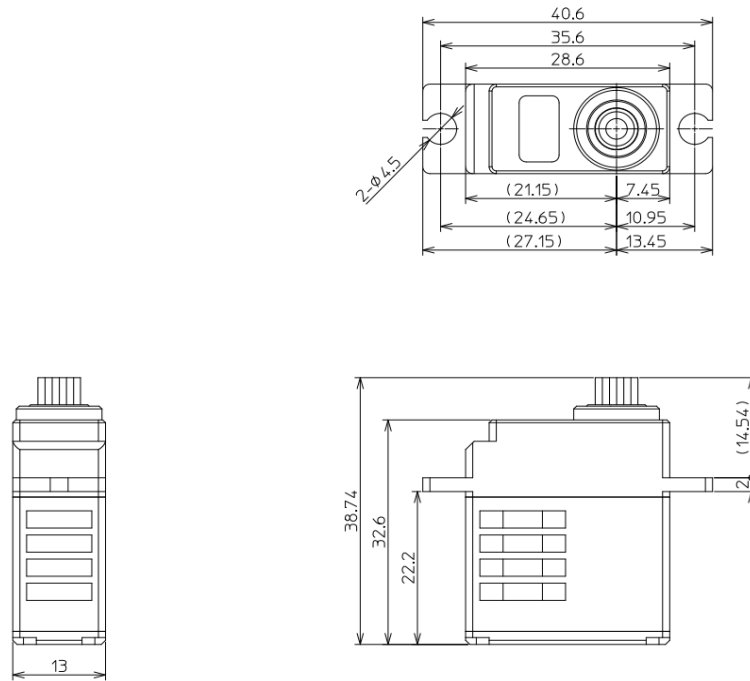
Caution

This product SHOULD NOT been used for the devices that is directly related to human life and/or harmful devices for human body such as below applications.

- (1)Medical Devices
- (2)Aerospace/Aviation Related Devices
- (3)Nuclear Related Devices e.t.c

Keep the servo away from an object which produces a strong magnetic field.
There is a possibility of malfunction if the servo is affected by a strong magnetic field.

Outer Dimension



(Unit mm)

Performance Curves

