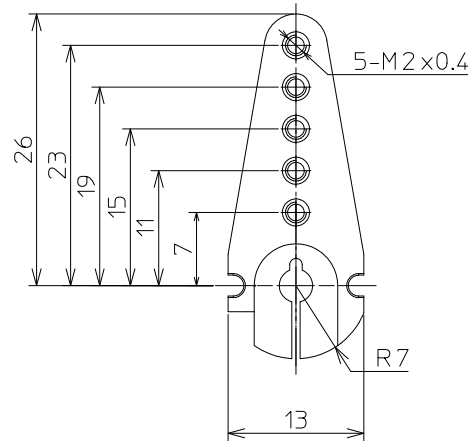
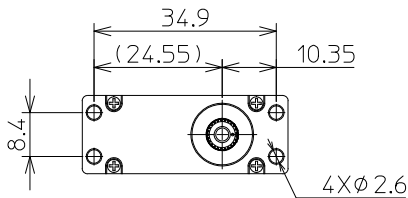
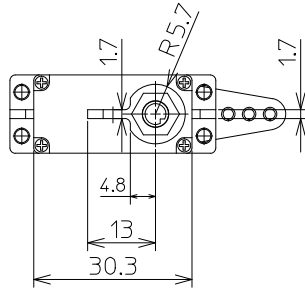
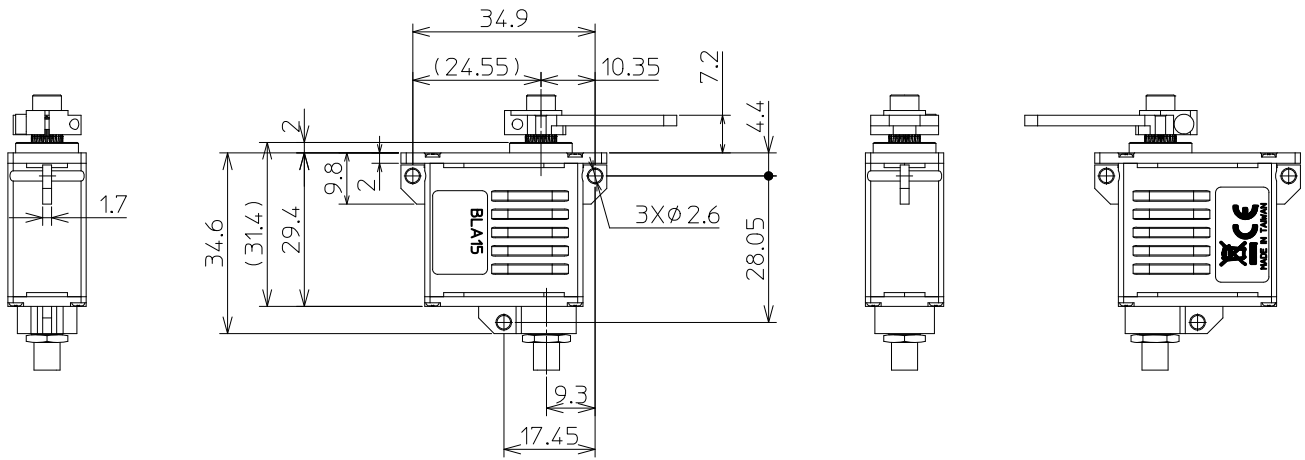
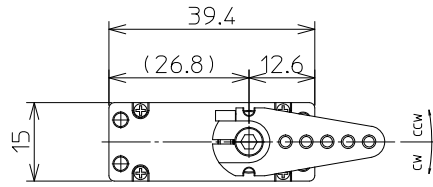


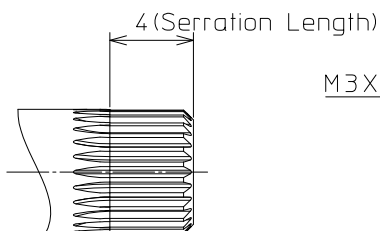
Outer Dimension (unit:mm)



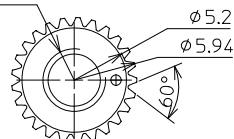
Without Servo Horn

Servo Horn

Output Shaft



M3X0.5(depth=7.0)



Serration Size

Standard Diameter: Ø6
 Angle : 60°
 Tooth : 25